

Curved track for plate chain



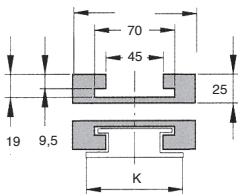
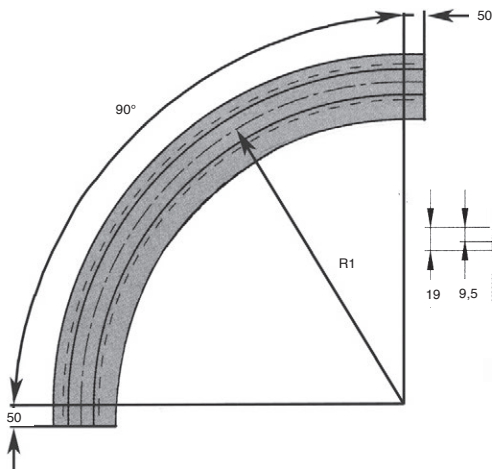
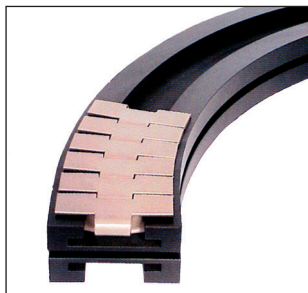
GCB880T For chain ranges 880 TAB and 881 TAB

- Used to support and guide CAP880T and CAP881T/SS plate chains

- Material
High density Black DESLIDUR

Info.

- Comprises 2 tracks (carry and return)



DISCOUNTS

Qty.	1+	5+	10+
Disc.	List	-5%	On request

Part number	For chain	AG (mm)	R1 (mm)	K (mm)	Weight (kg)	Price each 1 to 4
GCB880T-82	CAP880T-82 CAP881T-82/SS	100	500	82,5	2,4	132,22 €
GCB880T-114	CAP880T-114 CAP881T-114/SS	130	610	114,3	4,4	256,76 €

Dimensions in mm