

Latch clamp **with lock**

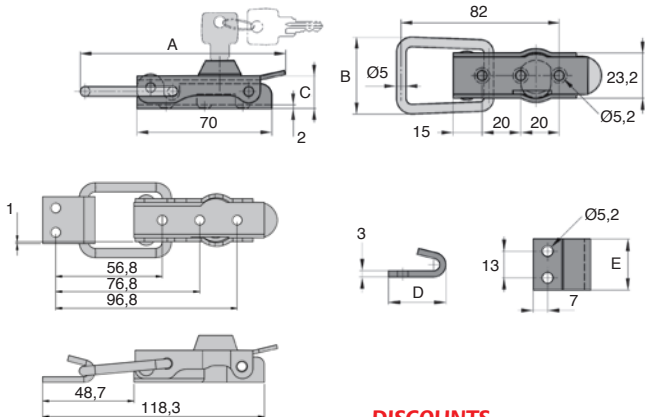
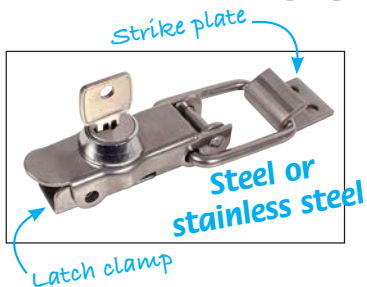
Lockable

GAC

- Snap closing
- Supplied with 2 identical keys
- Latch clamp and strike plates supplied separately
- Material:
 - Galvanised steel
 - Stainless steel 304

Advantage

- Can be locked using a key



Hole layout

DISCOUNTS

Qty	1+	10+	20+	50+	100+
Disc	List	-3%	-5%	-10%	On request

Part number	Material	Finish	A	B	C	D	E	Weight (g)	Stock*	Price each 1 to 9
Latch clamp										
GAC-106	steel	Galvanized	106,5	40,0	17,0	-	-	132	✓	17,59 €
GAC-106/SS	S/steel 304	Natural	106,5	40,0	17,0	-	-	132	✓	28,25 €
Strike plate										
GAC-106G	steel	Galvanized	-	-	-	28	25	24	✓	3,74 €
GAC-106G/SS	S/steel 304	Natural	-	-	-	28	25	24	✓	7,11 €

Dimensions in mm

0 825 88 6000
Service 0,15 € / min
+ prix appel