

Simple support base (bipod)



ESSB

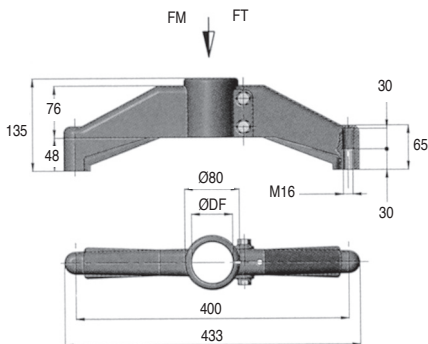
Plastic

- **Bipod support base**
- Component for conveyer structure
- For round tube
- **Materials**
 - Body: Reinforced polyamide
 - Inserts: Nickel brass
 - Screws: stainless steel



Accessories

- Compatible **PR** Feet



DISCOUNTS

Qty.	1+	5+	10+
Disc.	List	-5%	On request

Part number	ØDF	Max. load resistance FM (N)	Max. working load FT (N)	Weight (kg)	Stock*	Price each 1 to 4
ESSB-42	42,4	12000	8000	1,03	✓	36,65 €
ESSB-48	48,3	12000	8500	1,01	✓	36,65 €
ESSB-50	50,9	12000	9000	0,99	✓	36,65 €
ESSB-60	60,3	12000	10000	0,97	✓	36,65 €

*Depending on availability - Dimensions in mm