

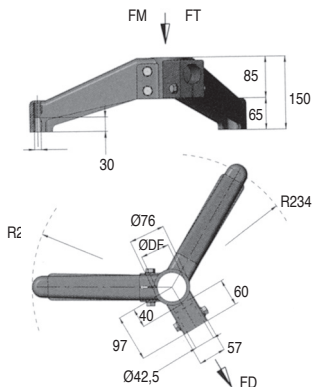
- **Combined bipod support part**
- Component for conveyor structure
- For round tube
- Materials
 - Body: Reinforced polyamide
 - Inserts: Nickel brass
 - Screws: stainless steel

Accessories

- Compatible **PR** Feet



Typical application



DISCOUNTS

Qty.	1+	5+	10+
Disc.	List -5%	On request	

Part number	ØDF	Max. load resistance. FM (N)	Max. sliding force FD(N)	Max. working load FT (N)	Weight (kg)	Stock*	Price each 1 to 4
ESCB-42	42,4	13000	7500	7500	1,60	✓	42,45 €
ESCB-48	48,3	13000	7500	8000	1,60	✓	42,45 €
ESCB-50	50,9	13000	7500	8500	1,60	✓	43,58 €
ESCB-60	60,3	13000	7500	9000	1,60	✓	42,45 €

*Depending on availability - Dimensions in mm