

Simple support base (bipod)



ESSBNV

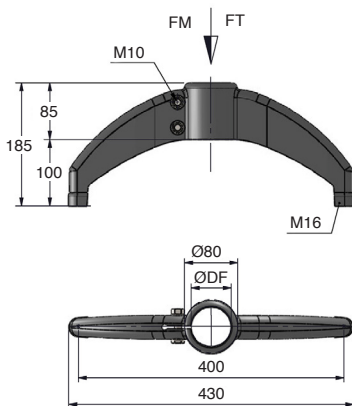
Plastic

- **Bipod support base**
- Component for conveyor structure
- For round tube
- Materials
 - Body: reinforced polyamide
 - Screws: stainless steel 304



Accessories

- Add compatible **PR** feet to order (tome 5 p.169)



DISCOUNTS

Qty	1+	5+	10+
Disc. List		-5%	On request

Part number	ØDF	Max. load resistance FM (N)	Max. working load FT (N)	Weight (kg)	Price each 1 to 4
ESSB-42/NV	42,4	15800	9600	0,612	43,57 €
ESSB-48/NV	48,3	15800	9600	0,612	43,57 €
ESSB-50/NV	50,8	15800	9600	0,612	43,57 €
ESSB-60/NV	60,3	15800	9600	0,752	43,57 €

Dimensions in mm

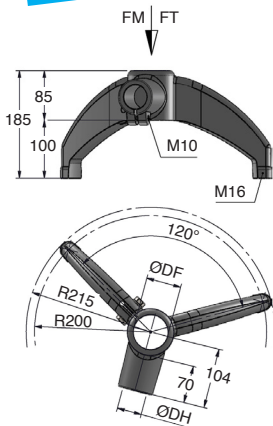
- Combined bipod support part
- Component for conveyor structure
- For round tube
- Materials
 - Body: reinforced polyamide
 - Screws: stainless steel 304

Accessories

- Add compatible PR feet to order (tome 5 p.169)



Typical application



DISCOUNTS

Qty	1+	5+	10+
Disc.	List	-5%	On request

Part number	ØDF	ØDH	Max load resistance.FM (N)	Max. working load FT (N)	Weight (kg)	Price each 1 to 4
ESCB-42-42/NV	42,4	42,4	15800	9600	0,925	51,82 €
ESCB-48-42/NV	48,3	42,4	15800	9600	0,925	51,82 €
ESCB-48-48/NV	48,3	48,3	15800	9600	0,925	51,82 €
ESCB-50-42/NV	50,8	42,4	15800	9600	0,925	51,82 €
ESCB-50-48/NV	50,8	48,3	15800	9600	0,925	51,82 €
ESCB-60-42/NV	60,3	42,4	15800	9600	0,925	51,82 €
ESCB-60-48/NV	60,3	48,3	15800	9600	0,925	51,82 €

Dimensions in mm

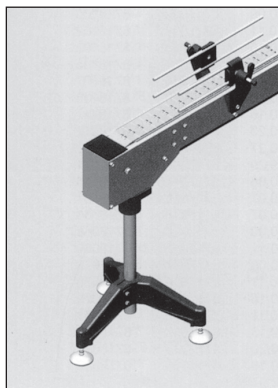
- **High stability**
- Component for conveyor structure
- For round tube
- Materials:

Body: reinforced polyamide

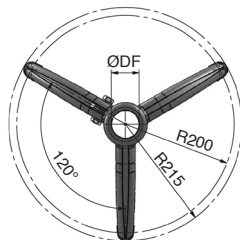
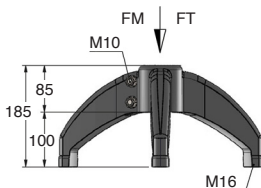
Screws: stainless steel 304

Accessories

- Add compatible **PR** feet to order (tome 5 p.169)



Typical application



DISCOUNTS

Qty	1+	5+	10+
Disc.	List	-5%	On request

Part number	ØDF	Max. load resistance FM (N)	Max. working load. FT (N)	Weight (kg)	Price each 1 to 4
ESST-42/NV	42,4	15800	9600	0,975	49,46 €
ESST-48/NV	48,3	15800	9600	0,975	49,46 €
ESST-50/NV	50,8	15800	9600	0,975	49,46 €
ESST-60/NV	60,3	15800	9600	0,975	49,46 €

Dimensions in mm