



EKGS

Servo insert coupling

Torque range: 0.5 to 35 Nm

- Elastic backlash free coupling
- Reliable torque transmission
- Maintenance free
- Low inertia/size
- Easy to assembly, even in confined spaces
- Reduces vibration
- Materials:
 - Body: Aluminium
 - Spider: Polyurethane 92 Shore A (yellow)



Applications

- Metrology, control systems, driving, machine tools, driving lead screws

Torque (Nm) transmissible for hub secured using set screws

Bore size	Ø3	Ø4	Ø5	Ø6	Ø7	Ø8	Ø9	Ø10	Ø11	Ø12	Ø13	Ø14	Ø15	Ø16	Ø17	Ø18	Ø20	Ø22	Ø24	Ø28	
EKGS-5	0,5	0,5	0,5																		
EKGS-7	1,2	1,2	1,2	1,2	1,2	1,2															
EKGS-9	3	3	3	3	3	3	3	3	3	3											
EKGS-14	7,5	7,5	7,5	7,5	7,5	7,5	7,5	7,5	7,5	7,5	7,5	7,5	7,5								
EKGS-19				10	10	10	10	10	10	10	10	10	10	10	10	10	10	10	10	10	10
EKGS-24						20	22	24	26	29	31	34	35	35	35	35	35	35	35	35	35

Part number	Transmissible nominal torque (Nm)	Tightened torque (Nm)	Max speed (rpm)	Moment of inertia (10^{-6} kgm ²)	axial (Nm)	Misalignment radial (Nm)	angular
EKGS-5	0,5	1,3	47500	0,034	-0,2/+0,4	0,06	1°
EKGS-7	1,2	1,3	34000	0,196	-0,3/+0,6	0,10	1°
EKGS-9	3	3	24000	1,08	-0,4/+0,8	0,13	1°
EKGS-14	7,5	6	16000	5,7	-0,5/+1,0	0,15	1°
EKGS-19	10	6	12000	36	-0,5/+1,2	0,10	1°
EKGS-24	35	6	8500	162	-0,5/+1,4	0,14	1°

Dimensions in mm

Characteristics

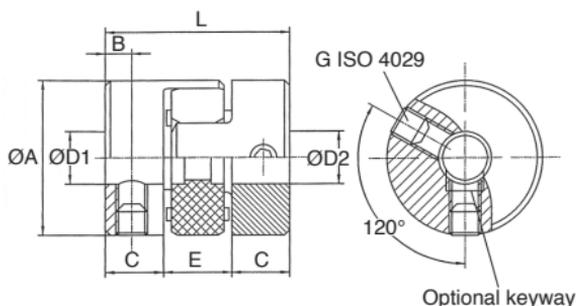
- Hardwearing
- Fixed using set screws
- Couplings are mounted pre-tensioned
- Shaft tolerance should be g6 or h7
- Contact surfaces should be free of grease

Bore

- Choose ØD1 and ØD2 from the ranges shown

Option

- Keyway according to DIN6885-1



DISCOUNTS

Qty	1+	5+	10+	25+
Disc.	List	-4%	-8%	On request

Part number	L	ØA	E	ØD1/ ØD2		C	B	G	Weight (g)	Price each 1 to 4	
				No keyway	with keyway					No keyway	with keyway
EKGS-5	15	10	5	2-5	-	5	2,5	1xM3	5	36,50 €	-
EKGS-7	22	14	8	3-8	6-8	7	2,5	1xM3	9	37,98 €	64,26 €
EKGS-9	30	20	10	3-12	6-10	10	5	2xM4	17	39,42 €	65,70 €
EKGS-14	35	30	13	4-16	6-16	11	5	2xM6	41	49,64 €	75,93 €
EKGS-19	66	40	16	6-24	6-24	25	10	2xM6	138	62,80 €	89,08 €
EKGS-24	78	55	18	8-35	8-35	30	10	2xM6	282	78,84 €	105,14 €

Dimensions in mm