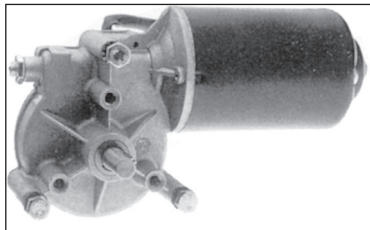
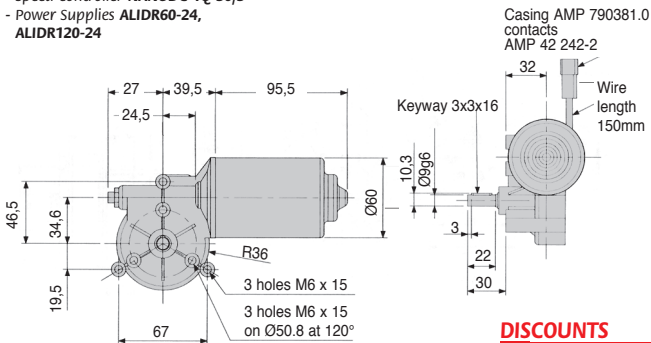


- Gearbox type: worm and wheel
- Bearing: self-lubricating bushes
- Angular backlash: N/A
- Max. axial load: N/A
- Max. radial load: N/A
- Working temp. from -40°C to +80°C
- Min. weight: 1.25kg
- Motor does not exhibit anti back drive behaviour for efficiencies less than 50%



Accessories

- Servo Amplifier **FIRSTDC-1Q-60/10**
- Speed controller **NANODC-1Q-30/3**
- Power Supplies **ALIDR60-24, ALIDR120-24**



DISCOUNTS

Qty.	1+	6+	10+
Disc.	List	-7%	On request

Part number	Ratios	Efficiency (%)	Unloaded speed (rpm)	Loaded speed (rpm)	Nominal torque (Nm)	Nominal current (mA)	Price each 1 to 5
12 V DC Version							
DOG111-12-135	12,2:1	60	135	105	1,5	4,0	251,58 €
DOG111-12-50	62,0:1	45	50	40	5,0	5,0	135,44 €
DOG111-12-34	62,0:1	45	34	25	6,0	4,0	135,44 €
DOG111-12-17	62,0:1	45	17	10	6,0	2,0	138,23 €
24 V DC Version							
DOG111-24-270	12,2:1	60	270	240	1,5	4,0	251,58 €
DOG111-24-78	62,0:1	45	78	70	3,0	3,0	149,26 €
DOG111-24-50	62,0:1	45	50	40	5,0	2,5	143,73 €
DOG111-24-34	62,0:1	45	34	25	6,0	2,0	138,23 €

Dimensions in mm