

- Indexing lever with male thread and collar for a sealing washer

- EHEDG certification
- Material:
Stainless steel 1.4404 (316L)
Polished finish up to Ra<0.04

Advantages

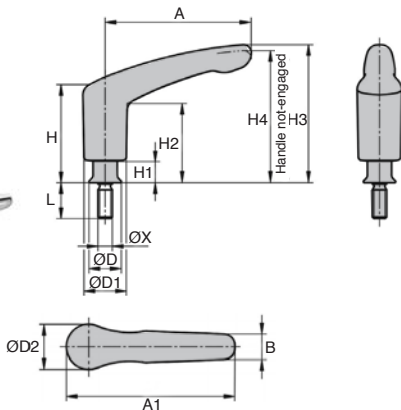
- Intended for use in hygienic environments. The completely sealed handle and a gasket prevent contamination inside the lever.
- In addition, the insert is fitted with a conical collar so that the screwed connection can be hygienically sealed to the sealing washer.
- The lever rotates freely when not in use.

Accessory

- RDE sealing washers
(cf. pages 37 à 39)



Apply pressure to engage the lever (safety feature)



DISCOUNTS

Qty	1+	5+	10+
Disc.	Net	-5%	On request

Part N°	ØX	L	ØD	ØD1	ØD2	H	H1	H2	H3	H4	A	A1	B	N° of teeth	Price each
															1 to 4
CLA03T8/HUSS	M8	30	18	23,6	24,9	54,7	12,1	44	77	73,5	81,5	94	14,2	20	71,61 €
CLA03T10/HUSS	M10	40	22,3	23,6	24,9	54,7	12,1	44	77	73,5	81,5	94	14,2	20	75,22 €

All dimensions in mm

0 825 88 6000
Service 0,15 € / min
+ prix appel