

CLAUSS

Hygienic Usit®

- Indexing lever with female thread and collar for a sealing washer

- EHEDG certification

- Material:

Stainless steel 1.4404 (316L)

Polished finish up to Ra<0.04

Advantages

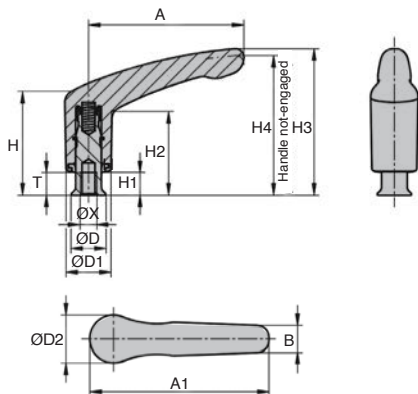
- Intended for use in hygienic environments. The completely sealed handle and a gasket prevent contamination inside the lever.
- In addition, the insert is fitted with a conical insert so that the screwed connection can be hygienically sealed to the sealing washer.
- The lever rotates freely when not in use.



Accessory

- RDE sealing washers (cf. pages 37 à 39)

Apply pressure to engage the lever (safety feature)



DISCOUNTS

Qty	1+	5+	10+
Disc. Net	-5%		On request

Part N°	ØX	T	ØD	ØD1	ØD2	H	H1	H2	H3	H4	A	A1	B	N° of teeth	Price each
															1 to 4
CLA03M8/HUSS	M8	12	18	23,6	24,9	54,7	12,1	44	77	73,5	81,5	94	14,2	20	68,92 €
CLA03M10/HUSS	M10	15	22,3	23,6	24,9	54,7	12,1	44	77	73,5	81,5	94	14,2	20	69,96 €

All dimensions in mm