

Adjustable friction hinges

New

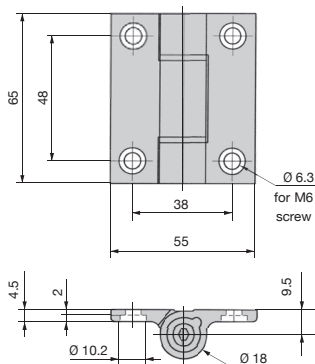
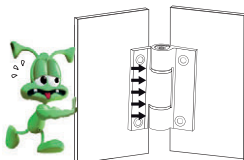
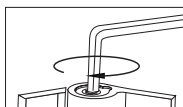
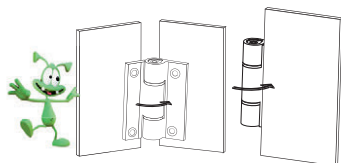
CHAFR For opening and positioning a panel or door

- **Screw mounting**
- **Materials :**
 - Aluminium
 - Sleeve : POM
 - Adjustable screw : Stainless steel A2
- Plain or black anodised finish
- Holding force : 0 to 5 Nm max
- Withstands 6000N
- Shear force : 5000N
- Working temp range -20 to 80°C

Advantages

- Adjustable holding force

NEW!



DISCOUNTS

Qty	1+	6+	20+	50+
Disc. List	-5%	-10%	On request	On request

Part number	Finish	Price each 1 to 5
CHAFR6555/AI	Plain anodised	21,75 €
CHAFR6555/AN	Black anodised	21,75 €

Dimensions in mm