

Square hinge with riveted pin, **drilled**

CHAC Sheet metal with rolled knuckle

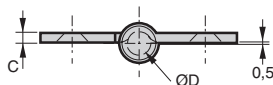
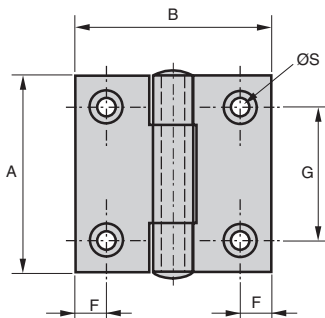
- Hinge for plug door
- Riveted pin, half swaged
- Material:
Stainless steel 304
- Natural finish

stainless steel



Advantages

- Economic hinge



DISCOUNTS

Qty	1+	6+	20+	50+
Disc.	List	-5%	-10%	On request

Part number	A	B	C	ØD	F	G	ØS	Weight (g)	Stock*	Price each 1 to 5
CHAC4040/SS	40	40	2	4	8	24	3,5	34	✓	14,69 €
CHAC5050/SS	50	50	2	6	8	34	4,0	61	✓	17,45 €
CHAC6060/SS	60	60	2	6	8	40	4,0	82	✓	19,89 €

*Depending on availability - Dimensions in mm



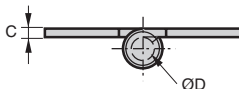
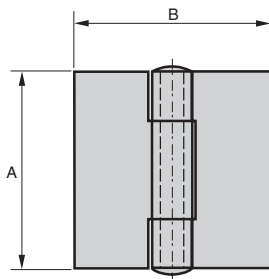
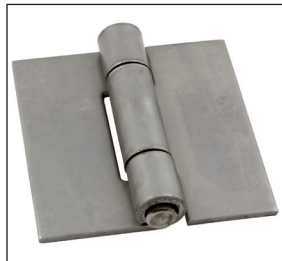
Square hinge with riveted pin, **not drilled**

Sheet metal with rolled knuckle **CHAC-NP**

- Hinge for plug door
- Riveted pin, leaves not offset
- Material:
 - CHAC-NP:** Steel hinge
 - CHAC-NP/SS:** Stainless steel 304
- Natural finish

Advantages

- Economic hinge



DISCOUNTS

Qty	1+	6+	20+	50+
Disc.	List	-5%	-10%	On request

Part number	A	B	C	ØD	Weight (g)	Stock*	Price each
						1 to 5	
Steel							
CHAC4040-NP	40	40	2	4	34	✓	8,69 €
CHAC5050-NP	50	50	2	6	61	✓	10,68 €
CHAC6060-NP	60	60	2	6	82	✓	11,80 €
Stainless steel							
CHAC4040-NP/SS	40	40	2	4	34	✓	14,69 €
CHAC5050-NP/SS	50	50	2	6	61	✓	16,85 €
CHAC6060-NP/SS	60	60	2	6	82	✓	19,03 €

*Depending on availability - Dimensions in mm