

**New**

# Modular round tubular structures

## Multiway connector

**GRAPHIT<sup>®</sup> CGT-B-BN**  
composite system *light*

- To be used with other connectors (CGT-C1BN or 2 CGT-A-BN)
- Allows tubes to be mounted in a variety of combinations
- Easy maintenance
- Material:  
Two part polymer

**NEW!**

### Advantages

- Easy to mount and clean
- Shock resistant, hardwearing
- The use of two-part polymers offers outstanding grip
- Easily adjusted

### Info

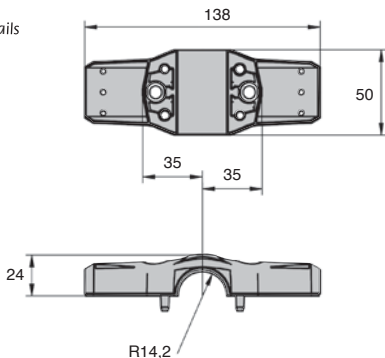
- A connector comprises 2 half shells sold separately
- Not sold individually, contact us for details

### Options

- Alternative colours available (Minimum quantity is 40)
- Screws sold separately, order **CHC6-25/SS/B200** and **SHN-6/B**



Typical assembly using two CGT-B-BN



### DISCOUNTS

Qty	1+	40+	80+	120+
Disc	List	-5%	-10%	On request

Part number	Type	Tube	Price each 1 to 39
CGT-B-BN	Straight half shell	For Ø28.6mm tubes	6,34 €

Dimensions in mm