

Adjustable screw stop

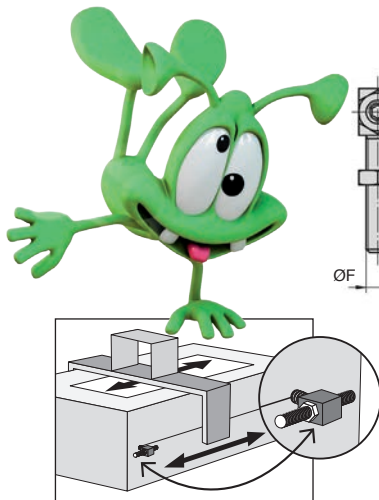
Steel

BVR

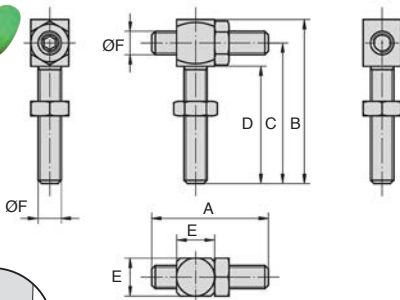
- Allows to easily create a stop that is adjustable over a 50mm range
- Material:
Burnished treated steel

Application

- Can be adjusted over the full range
- Final position is locked using a counter-nut.



Travel stop



DISCOUNTS

Qty	1+	6+	15+	20+
Disc.	List	-5%	-10%	On request

Part number	A	B	C	D	E	ØF	Price each 1 to 5
BVR6-30-30	30	44	37	30	10	M6	19,88 €
BVR8-40-40	40	56	48	40	13	M8	25,81 €
BVR10-50-50	50	70	60	50	17	M10	30,28 €
BVR12-60-60	60	84	72	60	19	M12	39,24 €
BVR16-80-80	80	112	96	80	24	M16	60,02 €

Dimensions in mm

0 825 88 6000
Service 0,15 € / min
+ prix appel

Fax

cial2@hpceurope.com

HPC

SUPPLEMENT 2019

199