

Spring loaded ball transfer unit



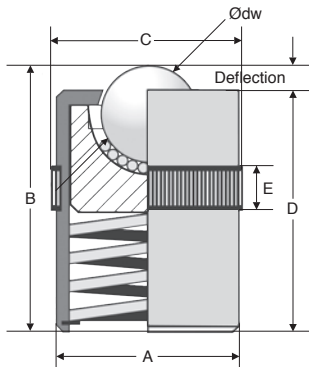
BPHR

For heavy loads

- **Ball transfer unit with solid body**
- For heavy loads
- Machined bodies and covers
- Lubricated for life
- Orientation: horizontal with ball upwards
- Unique drainage hole
- Max. speed: 1.5m/s
- Working temperature range: -30 to +100°C
- Materials:
Galvanised steel body and chromed steel balls

Advantages

- Good resistance to shocks



DISCOUNTS

Qty	1+	6+	20+	40+	60+
Disc.	Net	-10%	-15%	-20%	On request

Part N°	Ødw ball	ØA	B	ØC	D	E	Carrying capacity (kg)	Deflection	Load at max deflection	Price each
									(kg)	1 to 5
BPHR12-24	12,7	23,9	30	24,5	28,5	10,5	40	1,5	90	53,90 €
BPHR16-30	15,8	29,9	36	30,5	34,5	10,5	60	1,5	110	77,20 €
BPHR25-40	25,4	39,8	48	40,5	46,5	10,5	100	1,5	175	96,61 €
BPHR30-50	30,0	49,9	60	50,5	58,5	12,3	335	1,5	585	196,14 €

All dimensions in mm