

Right angled gearbox, double output shafts

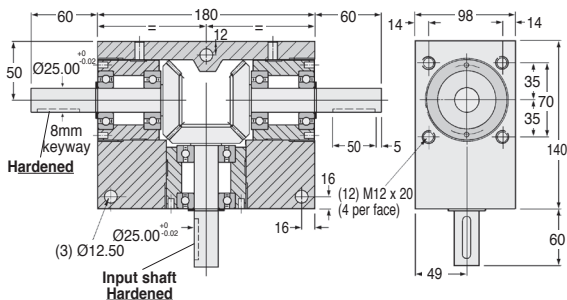
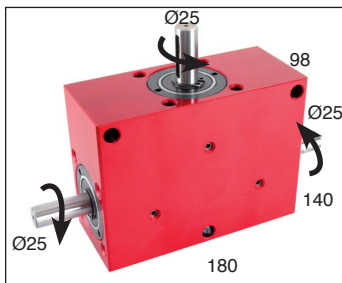
BLHM70

Torque up to 128Nm

- The two outputs rotate in opposite directions
- Ratios of 1:1 to 2:1
- Output backlash $\approx 1'$
- Max. speed: 4000 rpm
- Materials: casing: anodised aluminium
input: hardened steel,
output: hardened steel
- Weight: 8.76 kg

Options

- Can be modified to your specifications



Output torque Nm (NM values given as a guide only)

Ratios	1:1	2:1
3000	43	26
2000	47	30
INPUT SPEED	51	34
500 (rpm)	64	38
100	85	51
50	94	60
10	128	77

Innovative!
Outputs rotate in different directions

DISCOUNTS

Qty.	1+	2+	4+	6+
Disc.	List	-15%	-20%	On request

Part number	Ratio	Efficiency at 1000 rpm	Max. input speed (rpm)	Max. output speed (rpm)	Module	Price each
BLHM70-1	1:1	88%	3000	3000	4,0	2 152,92 €
BLHM70-2	2:1	88%	3000	1500	2,5	2 152,92 €

Dimensions in mm