



Right angled gearbox, dual output shafts

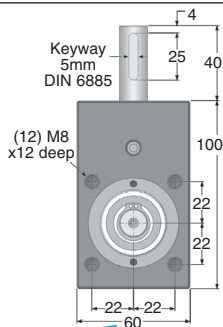
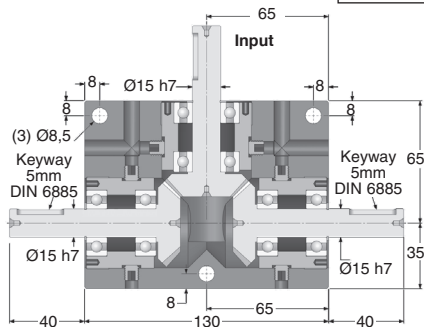
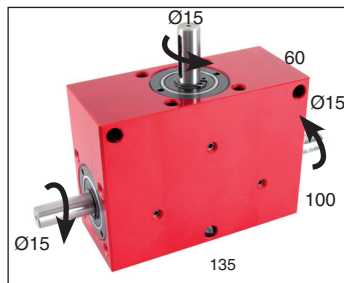
Torque up to 30Nm

BLHM50

- Through-shaft offers both output directions
- Ratios of 1:1 to 2:1
- Output backlash $\leq 45'$ ($0,75^\circ$)
- Max. speed: 3,000 rpm
- Materials: casing: anodised aluminium
input: hardened steel,
output: hardened steel
- Weight: 2.3 kg

Options

- Can be modified to your specifications



Output torque Nm (Nm values given as a guide only)

Ratios	1:1	2:1
3000	11,50	7,70
2000	13,20	8,70
INPUT SPEED (rpm)	15,90	10,20
500	17,50	11,60
100	23,00	15,00
50	25,00	17,00
10	30,00	20,00

Innovative!
Outputs rotate in different directions

DISCOUNTS

Qty	1+	2+	4+
Disc.	List	-15%	On request

Part number	Ratio	Efficiency at 1000 rpm	Max. input speed (rpm)	Max. output speed (rpm)	Reflected inertia at input (kg.m ²)	Stock*	Price each
BLHM50-1	1:1	88%	3000	3000	4,76 x 10 ⁻⁵	✓	1 239,69 €
BLHM50-2	2:1	88%	3000	1500	1,25 x 10 ⁻⁵	✓	1 239,69 €

*Depending on availability - Dimensions in mm