

# Right angled gearbox, dual output shafts Size XS

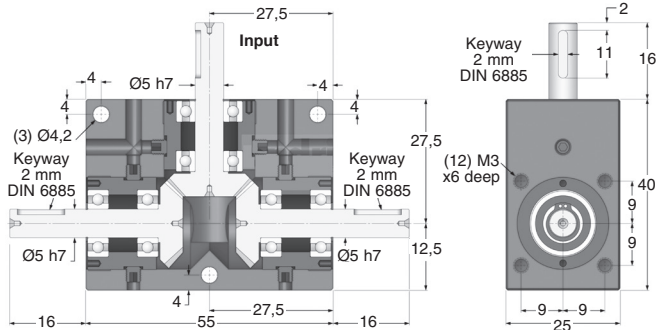
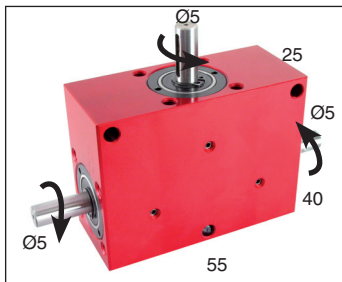
## BLHM20

## Torque up to 1.77Nm

- **Input and two outputs have a reversed direction of rotation**
- Ratios of 1:1 to 2:1
- Output backlash  $\leq 45'$  (0,75°)
- Max. speed: 3,000 rpm
- Materials: casing: anodised aluminium  
input and output: hardened stainless steel
- Weight: 0.16 kg

### Options

- Can be modified to your specifications



Output torque Nm (Nm values given as a guide only)

Ratios	1:1	2:1
3000	0,66	0,53
2000	0,72	0,58
INPUT SPEED	0,88	0,70
500 (rpm)	1,00	0,80
100	1,35	1,08
50	1,48	1,18
10	1,77	1,41

Innovative !  
Outputs rotate in opposite directions

### DISCOUNTS

Qty	1+	2+	4+
Disc.	List	-15%	On request

Part number	Ratio	Efficiency at 1000 rpm	Max. input speed (rpm)	Max. output speed (rpm)	Reflected inertia at input (kg.m <sup>2</sup> )	Stock*	Price each
BLHM20-1	1:1	88%	3000	3000	4,34 x 10 <sup>-7</sup>	✓	499,52 €
BLHM20-2	2:1	88%	3000	1500	8,41 x 10 <sup>-8</sup>	✓	499,52 €

\*Depending on availability - Dimensions in mm