

Closing mechanism for aluminium profiles **New**

ACLBDB

Double jointed stop

- **Rapid closing mechanism for doors**

- **Material**

Black glass fibre reinforced nylon
Balls : stainless steel

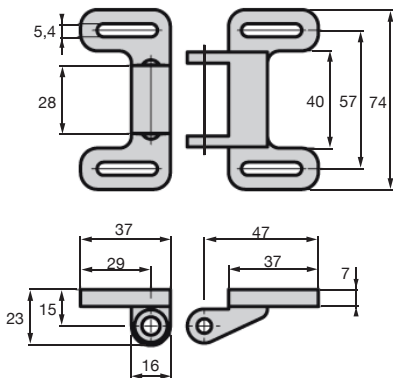
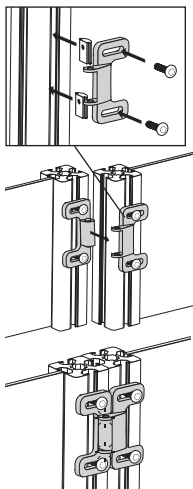
Advantages

- Suitable for use with
PRF aluminium profiles

Info

- No mounting screws supplied
(see PRF-ECL-M6 and BHC6)

NEW!



DISCOUNTS

Qty	1+	50+	100+
Disc. List	-5%	On request	

Part number	Retaining force (N)	Weight (g)	Price each 1 to 49
ACLBDB-25	25	38	5,35 €

Dimensions in mm