

Door stop for aluminium profile

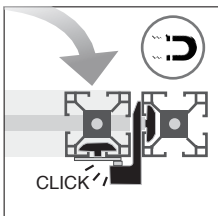
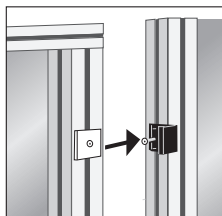
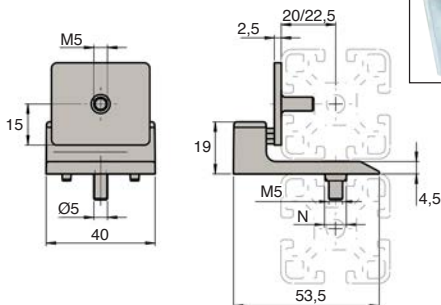
Magnetic closing

ACLAPB

- **Quick door closing system**
- **Materials:**
 - Glass fibre reinforced PA plastic
 - Neodymium magnet
 - Steel counter plate and screws

Advantages

- Discrete stop
- Small size, takes up little space inside the machine



Typical application

DISCOUNTS

Qty	1+	50+	100+
Disc. Net		-5%	On request

Part N°	N	Holding force (N)	Weight (g)	Price each 1 to 49
ACL-APB-53	8/10	30	53	12,30 €

All dimensions in mm

0 825 88 6000
Service 0,15 € / min
+ prix appel

Fax

cial2@hpceurope.com

HPC

SUPPLEMENT 2019

239